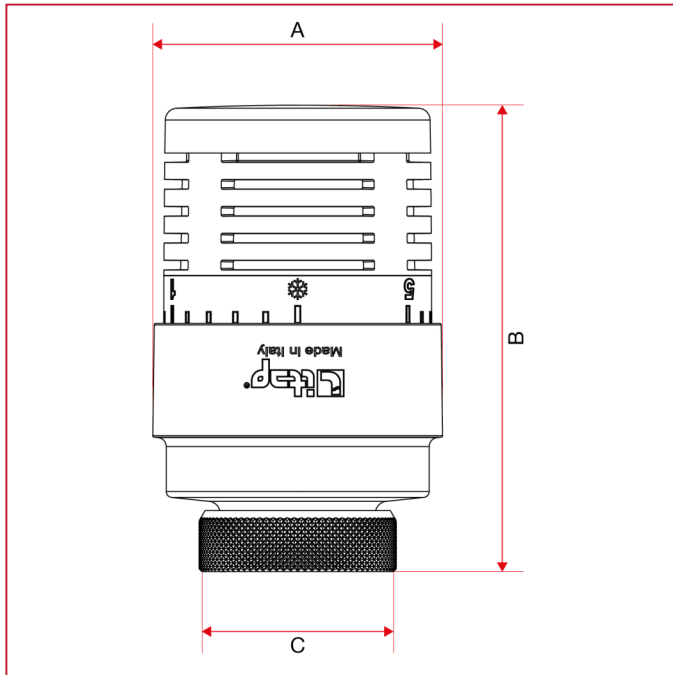




# THERMOSTATIC CONTROL HEADS

## 891 Thermostatic control head with oil-filled element

### OVERALL DIMENSIONS



A	48,5
B	78
C	M30x1,5