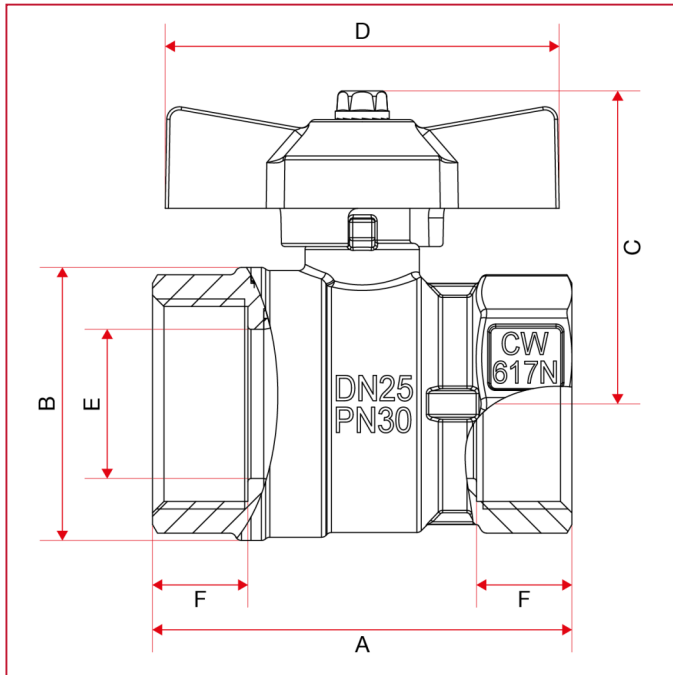




STANDARD FLOW BALL VALVES: VIENNA

118 Vienna ball valve, standard flow

OVERALL DIMENSIONS



	1/4"	3/8"	1/2"	3/4"	1"
DN	8	10	15	20	25
A	44,4	44,4	48	53	66
B	23,5	24	29	36	43
C	37,3	37,3	40	46	49
D	47	47	47	54	62
E	10	10	14	18,5	23,5
F	10	10	12	12	15
Kg/cm ² bar	50	50	30	30	30
LBS - psi	725	725	435	435	435