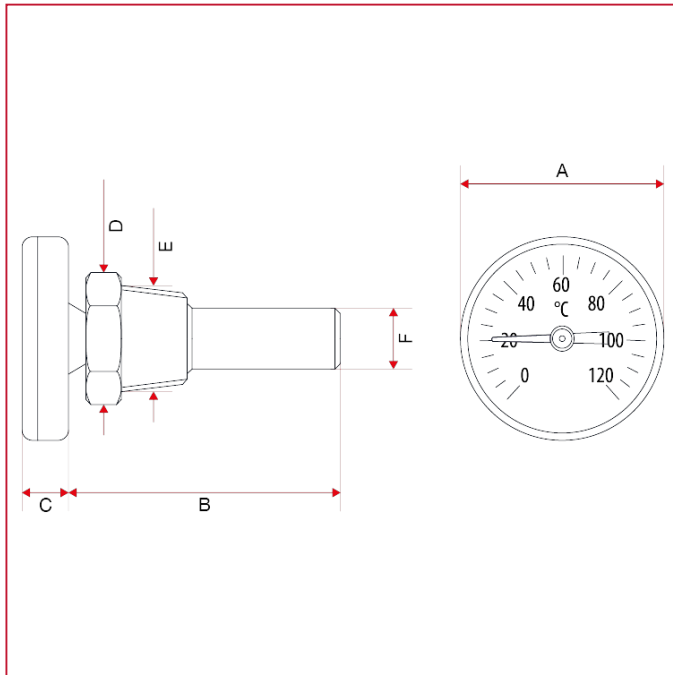




ACCESSORIES FOR MANIFOLDS

493 Thermometer, back connection

OVERALL DIMENSIONS



	3/8"X40	1/2"X40	1/2"X63	1/2"X80
A	39,8	40	62	80,8
B	33	53,5	50	106
C	9	9	12,7	11,6
D	Ch,Ex,18	Ch,Ex,22	Ch,Ex,22	Ch,Ex,22
E	3/8"	1/2"	1/2"	1/2"
F	11,6	12	12	11
Kg/cm ² bar	10	10	10	10
LBS - psi	145	145	145	145