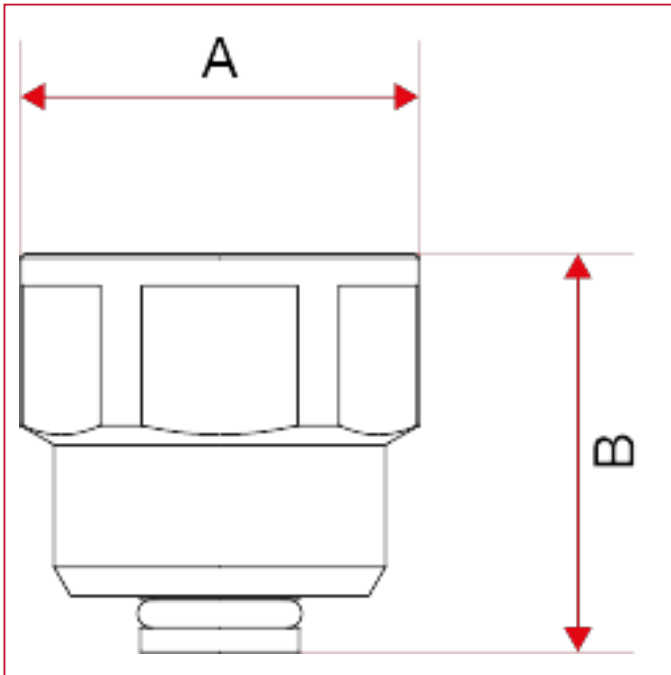




## AIR VENT VALVES AND SAFETY VALVES

### 365 Automatic check valve

#### OVERALL DIMENSIONS



	3/8"	1/2"
A	21,7	25
B	26,5	25,5
Kg/cm <sup>2</sup> bar	10	10
LBS - psi	145	145