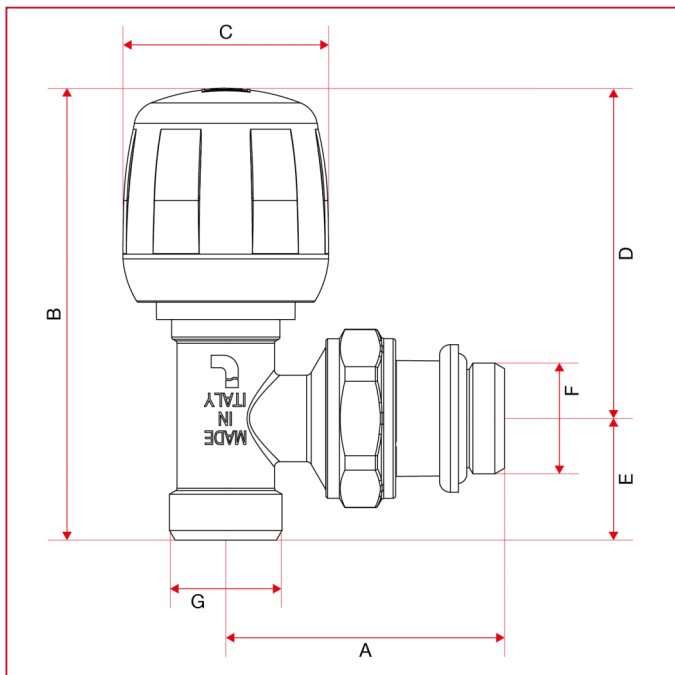




# MANUAL VALVES AND LOCKSHIELDS

## 395S Angle manual valve

### OVERALL DIMENSIONS



	3/8"	1/2"
DN	10	15
A	50	51,5
B	74,5	74,5
C	34	34
D	52	52
E	22,5	22,5
F	3/8"	1/2"
G	1/2"	1/2"
Kg/cm <sup>2</sup> bar	10	10
LBS - psi	145	145