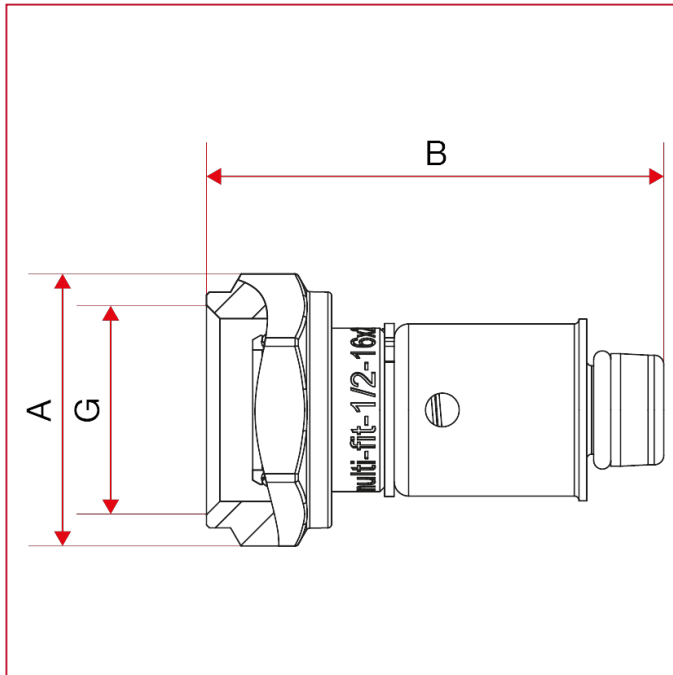




FITTINGS FOR MULTILAYER, PEX, POLYBUTYLENE AND COPPER PIPE

510 Multi-Fit® fitting for multilayer, PEX and polybutylene pipe

OVERALL DIMENSIONS



510 available size with 1/2" nut

	14x2	16x2	16x2,25	18x2	20x2	20x2,25	20x2,5
A	28,3	28,3	28,3	28,3	28,3	28,3	28,3
B	46	47,5	47,5	46	46	46	46
G	1/2"	1/2"	1/2"	1/2"	1/2"	1/2"	1/2"
Kg/cm2 bar	20	20	20	20	20	20	20
LBS - psi	290	290	290	290	290	290	290

510 available size with 3/4" nut EUROKONUS

	16x2	18x2	20x2	20x2,25	25x2,5	26x3
A	33	33	33	33	33	33
B	48,5	47	47	47	52	52
G	3/4"	3/4"	3/4"	3/4"	3/4"	3/4"
Kg/cm2 bar	20	20	20	20	20	20
LBS - psi	290	290	290	290	290	290

510 available size with 1" nut

	25x2,5	26x3	32x3
A	40,5	40,5	40,5
B	58,5	58,5	63
G	1"	1"	1"
Kg/cm2 bar	20	20	20
LBS - psi	290	290	290