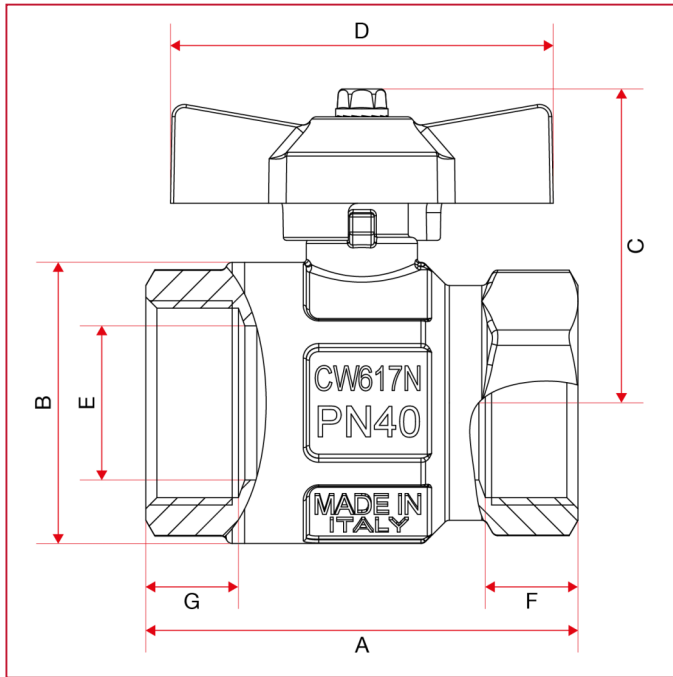




# FULL FLOW BALL VALVES: IDEAL

## 092 Ideal ball valve, full flow

### OVERALL DIMENSIONS



	1/4"	3/8"	1/2"	3/4"	1"	1"1/4"
<b>DN</b>	8	10	15	20	25	32
<b>A</b>	44,4	44,4	50,5	57,5	70	80,5
<b>B</b>	23,5	24	30,5	37	45,5	57
<b>C</b>	37	37	41	47	51	64
<b>D</b>	47	47	47	62	62	70
<b>E</b>	10	10	15	20	25	32
<b>F</b>	10	10	12	12,5	15	17
<b>G</b>	10	10	12,5	13,5	15	16,5
<b>Kg/cm2 bar</b>	50	50	50	40	40	30
<b>LBS - psi</b>	725	725	725	580	580	435